

Sample-Paper

9th Chemistry

1. A green house gas, which on combustion gives another green house gas
(A) Ammonia (B) sulphur dioxide (C) Methane (D) All of these
Ans : (C)
2. LPG is a Mixture of
(A) Methane and Ethane (B) Propane and butane
(C) Methane and Propane (D) Propane and Ethane
Ans : (B)
3. Choose the incorrect pair
(A) NO₂ — Ratter egg smell (B) H₂ — Pop sound
(C) CO₂ — Lime water milky (D) O₂ — supports combustion
Ans : (A)
4. The correct order of increasing chemical reactivity
(A) Zn < FE < Mg < K (B) Fe < Mg < K < Zn
(C) Fe < Zn < Mg < K (D) Fe > Zn > Mg > K
Ans : (C)
5. Example of Amorphous allotrope of carbon
(A) Diamond (B) Charcoal (C) Graphite (D) Fullerene
Ans : (B)
6. Components of Crude Petroleum can be separated by
(A) Destructive distillation (B) Centrifugation
(C) Separating funnels (D) Fractional distillation
Ans : (D)
7. A solid metal which is liquid above room temperature
(A) Mercury (B) Iodine (C) Zink (D) Gallium
Ans : (D)
8. Composition of water gas is
(A) CO + N₂ (B) CO + H₂ (C) H₂ + O₂ (D) N₂ + O₂
Ans : (B)
9. An Alloy in which mercury is present
(A) Duralumin (B) Steel (C) Amalgum (D) Solder
Ans : (C)

10. An element 'X' form an oxide 'XO', which turns red litmus blue. Identify 'X' –
(A) Metal (B) Metalloid (C) Non metal (D) Noble gas
Ans : (A)

9th Biology

1. Mustard and linseed are examples of _____
(a) Cash crops (b) Rabi Crops
(c) Kharif crops (d) Zaid crops
(b)
2. Sperms are produced by which part of male reproductive organ?
(a) Sperm duct (b) Penis
(c) Ovary (d) Testis
(d)
3. Cells which are capable of changing shapes is/are
(a) Red blood cells (b) White blood cells
(c) Plant cells (d) All of the above
(b)
4. Cell was discovered in the year _____ by _____
(a) 1662, Robert Hooke (b) 1902, Theodor Schwann
(c) 1030, Theodor Schwann (d) 1665, Robert Hooke
(d)
5. Which is the living substance of the cell?
(a) Protoplasm (b) Cytoplasm
(c) Nucleus (d) Cell organelles
(a)
6. IVF stands for _____
(a) In vivo fertilisation (b) In vitro fertilisation
(c) In vivo fusion (d) In vitro fusion
(b)
7. Dolly the sheep is famous because it was _____
(a) first mammal to lay egg (b) first animal to go to space
(c) first mammal to be cloned (d) first animal to be observed at time of fertilisation
(c)

8. Metamorphosis can be observed in which of the following organisms?
- (a) Frog (b) Butterfly
 (c) Silkworm (d) All of the above
 (d)
9. Choose the correct statement(s):
- (1) cell is located in the nucleus
 (2) chloroplasts are located in the nucleolus.
 (3) Ribosomes are located on the chromosomes
 (4) Cell membrane is a semi-permeable membrane
- (a) (1), (2), (3) and (4) (b) (2) only
 (c) (1), (2) and (3) (d) (4) only
 (d)
10. I am a membrane bound cell organelle containing digestive enzymes. I help the cell by destroying myself whenever required. Who am I?
- (a) Lysosome (b) Mitochondria
 (c) Golgi body (d) Exdoplasmic reticulum
 (a)

9th Physics

1. A force can
- (a) change the state of rest of a body (b) change the state of motion of a body
 (c) Both (a) and (b) (d) Neither (a) nor (b)

Ans: c

2. Which of the following is not true about friction
- (i) Friction is a contact force
 (ii) Friction is caused by irregulates on the two surface in contact
- (a) Both are true (b) Both are untrue
 (c) Only (i) is true (d) Only (ii) is untrue

Ans: a

3. We cannot hear a blast on Sun because
- (a) It is too far away from us. (b) It doesn't create sound.
 (c) There is no medium between Sun and Earth for sand to travel.
 (d) force

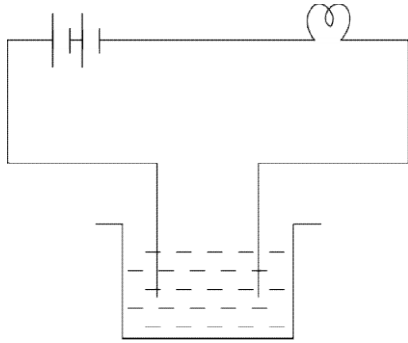
Ans: c

4. The desk LED stands for

- (a) Live energy diode (b) Least energy diode
 (c) Light emitting diode (d) Light energy diode

Ans: c

5. In the following circuit bulb doesn't glow the reason can



- (a) The battery is flawed
 (b) The bulb is flawed
 (c) The liquid used is not a conductor
 (d) All of the above

Ans: d

6. Which of the following statements regarding lightening is correct?

- (i) Lightening occurs due to the charging of clouds by friction.
 (ii) Accumulation of charge on clouds leads to accumulator of charge on ground.
 (iii) High accumulation leads to conduction of electricity by air
 (a) All of the above are incorrect
 (b) Only (ii) & (iii) are correct
 (c) Only (i) is correct
 (d) All of the above are correct

Ans: d

7. According to laws of reflection

- (a) angle of incidence > angle of reflection
 (b) angle of incidence < angle of incidence
 (c) angle of incidence = angle of reflection
 (d) None

Ans: c

8. Cone cells present in eye are sensitive to

- (a) dim light (b) colours
 (c) Both (d) None

Ans: b

9. Moon shines because

- (a) It has its own light (b) It reflects light of earth

(c) It reflects light of sun

(d) None of the above

Ans: c

10. What produces sound?

(a) Vibrations in matter

(b) Force

(c) Mass

(d) Velocity

Ans: a

9th Maths

1. What percent of 400 is 60 ?

(A) 15

(B) 12

(C) 6

(D) 20

Ans : A

2. If the side of an equilateral triangle is increased by 30%, how much increase will take in the area ?

(A) 60%

(B) 90%

(C) 45 %

(D) 69 %

Ans : D

3. The smallest perfect square number divisible by each of the numbers 8, 9 and 10 is

(A) 900

(B) 1600

(C) 2500

(D) 3600

Ans : D

4. Six more than four times a number is four less than five times the same number. Find the number

(A) 7

(B) 8

(C) 10

(D) 9

Ans : C

5. Three consecutive integers add up to 54. The integers are

(A) 16, 17, 18

(B) 15, 16, 17

(C) 17, 18, 19

(D) 18, 19, 20

Ans :C

6. ABCD is a rectangle and AC & BD are its diagonals. If AC = 10 cm, then BD is :

(A) 10 cm

(B) 5 cm

(C) 15 cm

(D) 20 cm

Ans : A

7. Mohit invests a sum of Rs. 41,250 at the rate of 6 % per annum. What approximate compound interest will he obtain at the end of 3 years ?

(A) Rs. 8,100

(B) Rs. 7,425

(C) 8,210

(D) 7,879

Ans : D

8. The value of $\sqrt[3]{4\frac{12}{125}}$ is

(A) $1\frac{3}{5}$

(B) $1\frac{2}{5}$

(C) $1\frac{4}{5}$

(D) $2\frac{2}{5}$

Ans : A

9. The largest four digit number which is a perfect cube is

(A) 9999

(B) 9261

(C) 8000

(D) None of these

Ans : B

10. 1.14 expressed as a percent of 1.9 is

- (A) 6% (B) 10% (C) 60% (D) 90%

Ans : C

11. $(2.4 \times 10^3) \div (8 \times 10^{-2})$ equal to

- (A) 3×10^5 (B) 3×10^4 (C) 3×10^{-5} (D) 30

Ans : B

12. Each angle of a square is

- (A) Acute angle (B) Right angle (C) Obtuse angle (D) Straight angle

Ans : B

13. The age of the father is three times the age of the Son. If the age of the Son is 15 years, then the age of the father is

- (A) 50 years (B) 40 years (C) 55 years (D) 45 years

Ans : D

14. 45% of 750 $- 25\%$ of 480 $+ ? = 480.50$

- (A) 216 (B) 263 (C) 245 (D) 236.50

Ans : B

15. Degree of Polynomial $7x^2yz^2 + 6x^3y^2z^2 - 5x + 8y$ is

- (A) 4 (B) 5 (C) 6 (D) 7

Ans : D

16. The volume of two cubes is in the ratio 1 : 64. If the volume of the larger cube is 504 cm^3 more than that of the smaller cube, then the volume of the smaller cube and length of each side of the larger cube respectively is

- (A) $8 \text{ cm}^3, 8\text{cm}$ (B) $8\text{cm}^3, 7\text{cm}$ (C) $7\text{cm}^3, 8\text{cm}$ (D) $7\text{cm}, 8\text{cm}^3$

Ans : A

17. In an election, 2 candidates participated. One of them got 60% of the valid votes and won by a margin of 1800 votes. The number of valid votes is

- (A) 4500 (B) 3000 (C) 1080 (D) 9000

Ans : D

18. If $5x-1 + 5x + 5x+1 = 75$, then the value of x be

- (A) 1 (B) 5 (C) 2 (D) 4

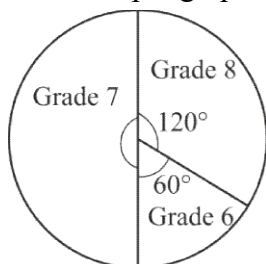
Ans : B

19. The mess charges for 35 students for 24 days is Rs. 6300. In how many days will the mess charge be Rs 3375 for 25 students?

- (A) 12 (B) 15 (C) 18 (D) 21

Ans : C

20. From the pie graph shown. Find the percent of student that are in grade 8.



- (A) 30 % (B) 33.3% (C) 33.5% (D) 30.5%

Ans : B